

# SADDLES - FITTINGS - TANGS - BRACKETS

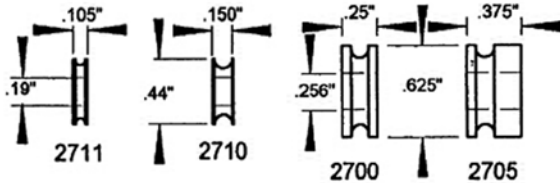
## ALUMINUM SADDLE



Specs: Fits 1.63 inch I Base OD 1.0 inch I Hole 0.266 inch I Height 0.125 inch Super-tough saddles. Made of aluminum.

P/N-Type 4315/1 ..... P/N 04-00927 ..... **\$4.20**

## CABLE FITTINGS



1/16" Cable, Steel, AN111-3 ..... P/N 05-01939 ..... **\$2.50**  
 3/32" Cable, Aluminum ..... P/N CF2700 ..... **\$2.45**  
 3/32" Cable, Aluminum ..... P/N CF2705 ..... **\$2.25**  
 1/16" Cable, Stainless, AN111C-3 ..... P/N CF2710S ..... **\$2.25**

## ELBOW FITTINGS



These are tube fittings used to assemble parts to an ultralight frame. No specific ultralight or application.

1" x .083" ..... P/N 15-05250 ..... **\$8.50**  
 1" x .058" ..... P/N 15-05249 ..... **\$8.50**

## NYLON WASHERS



05-01969

05-01970

| Model  | Part No. | O.D. | I.D. | Thickness | Price Ea.     |
|--------|----------|------|------|-----------|---------------|
| NW2059 | 05-01970 | .875 | .256 | .031      | <b>\$0.57</b> |
| NW2055 | 05-01969 | .256 | .500 | .060      | <b>\$0.58</b> |

## CONTROL CABLE FAIRINGS

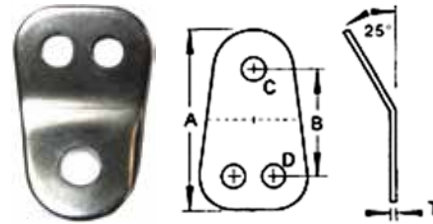


Injection molded ABS plastic fairings used to cover hole in airframe where control cables emerge such as the rudder cables at the rear of the fuselage. May be installed on any airframe surface but is most normally used on fabric covered aircraft

where they are bonded on with fabric cement and covered with a fabric patch ..... P/N 05-05750... **\$5.90 pair**

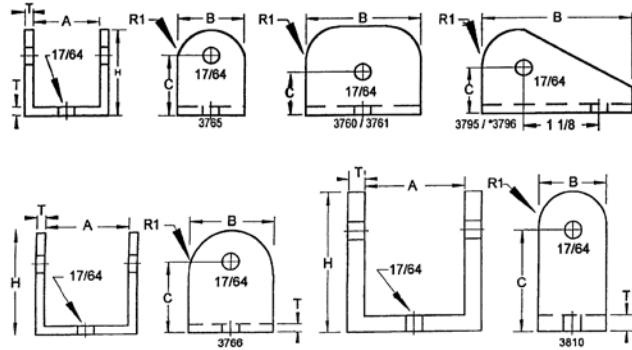
## TANGS

Made of 304 stainless steel. All measurements are in inches.



| No. | Maxair  | Description | T   | A    | B    | C   | D   | Part No. | Price         |
|-----|---------|-------------|-----|------|------|-----|-----|----------|---------------|
| 3   | T11-DFT | 3-Hole Flat | 14G | 1.91 | 1.09 | .26 | .26 | 05-02077 | <b>\$3.95</b> |
|     | T8-DFT  | 3-Hole Flat | 12G | 1.91 | 1.09 | .32 | .26 | 05-02078 | <b>\$3.75</b> |

## ALUMINUM BRACKETS



| Model | Part No. | A     | B     | C     | H     | T    | R1   | ALLOY   | Each          |
|-------|----------|-------|-------|-------|-------|------|------|---------|---------------|
| B3772 | 05-01930 | .500  | .750  | .500  | .750  | .125 | ---  | 6061-T6 | <b>\$4.20</b> |
| B3765 | 05-01928 | 1.000 | 1.000 | .875  | 1.250 | .125 | .500 | 6063-T5 | --            |
| B3760 | 05-01926 | 1.000 | 1.750 | .625  | 1.250 | .125 | .500 | 6063-T5 | --            |
| B3761 | 05-01927 | 1.000 | 1.750 | .906  | 1.250 | .125 | .750 | 6063-T5 | <b>\$7.50</b> |
| B3795 | ---      | 1.000 | 2.250 | .670  | 1.250 | .125 | .500 | 6063-T5 | --            |
| B3766 | 05-01929 | 1.250 | 1.250 | 1.062 | 1.500 | .125 | .750 | 6063-T5 | <b>\$6.50</b> |
| B3796 | ---      | 1.250 | 2.375 | .875  | 1.500 | .125 | .500 | 6063-T5 | --            |
| B3810 | 05-01931 | 1.500 | 1.000 | 1.500 | 2.000 | .250 | .500 | 6061-T6 | --            |

## PLASTIC ID TUBE CAPS



Series PD Plugs, designed for use on flared JIC fittings, air knurled for ease of application. They will seal low pressure requirements with light finger tightening. PD plugs can be used to seal 37° flare fittings without gaskets. **Model:** TC4112 **Maxair:** EC-10

**Fits Tube Size:** 2 x .049 ..... P/N 05-02091 ..... **\$2.75**

## PLUG BUTTONS

Nickel Plated Plug Buttons.



| Manufacture Part No. | Hole Size | Head Diameter | Panel Thickness | Material        | Finish | Part Number | Price         |
|----------------------|-----------|---------------|-----------------|-----------------|--------|-------------|---------------|
| 3750                 | 1/4"      | 13/32"        | 0.035-0.062"    | Steel           | Nickel | 04-04112    | <b>\$0.85</b> |
| 3751                 | 3/8"      | 1/2"          | 0.037-0.078"    | Steel           | Nickel | 04-04113    | <b>\$0.95</b> |
| 3752                 | 1/2"      | 21/32"        | 0.037-0.062"    | Steel           | Nickel | 04-04114    | <b>\$0.95</b> |
| 3753                 | 5/8"      | 13/16"        | 0.062-0.078"    | Stainless Steel | --     | 04-04115    | <b>\$1.35</b> |
| 3754                 | 3/4"      | 15/16"        | 0.037-0.093"    | Steel           | Nickel | 04-04116    | <b>\$1.32</b> |
| 3755                 | 7/8"      | 1-1/16"       | 0.031-0.093"    | Stainless Steel | --     | 04-04117    | <b>\$1.35</b> |
| 3756                 | 1"        | 1-1/8"        | 0.062-0.093"    | Stainless Steel | --     | 04-04118    | <b>\$1.65</b> |
| 10231                | 1-1/4"    | 1-7/16"       | 0.062-0.093"    | Steel           | Nickel | 04-04119    | <b>\$4.35</b> |
| 10232                | 1-1/2"    | 1-21/32"      | 0.038-0.141"    | Steel           | Nickel | 04-04120    | <b>\$5.35</b> |

AP